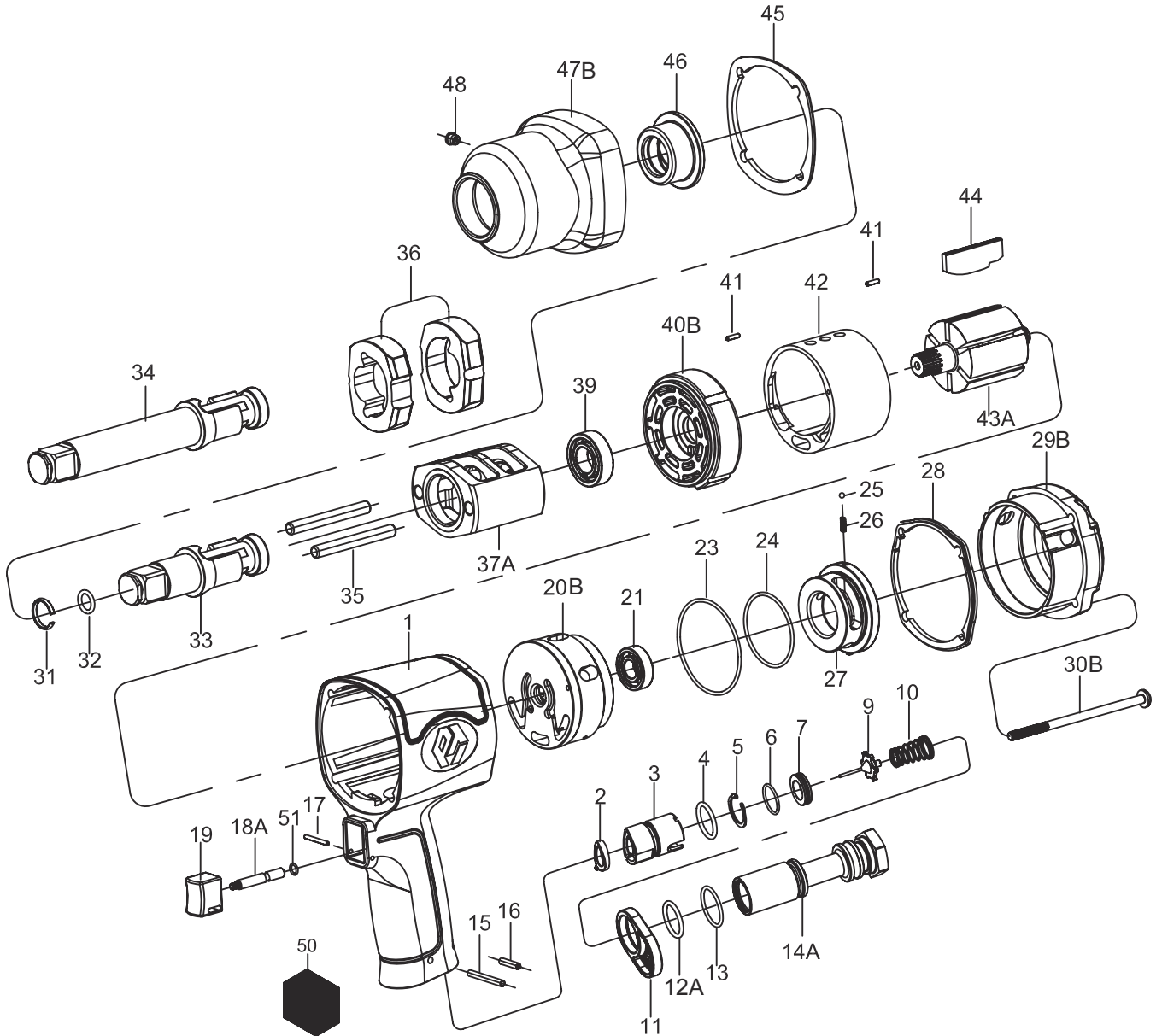


| Technical Details | Speed | Square | Max. Torque | Length | Weight | Air Consumption | Air Inlet | Noise (DB) | Uncertainty(DB) | Vibration | Working Pressure |
|-------------------|-------|--------|---------------|-----------|-----------|-----------------|-----------|------------|-----------------|------------------|------------------|
| | RPM | Drive | Nm/ft-lb | mm/inch | kg/lb | LPM / CFM | inch | LpA LwA | KpA KwA | m/s ² | Bar / PSI |
| 26200 | 5,700 | 3/4 | 1,900 (1,400) | 250 (9.8) | 3.9 (8.6) | 215 (7.6) | 3/8 | 98.8 109.8 | 3 | 4.69 | 6.3 (90) |
| 26200L | 5,700 | 3/4 | 1,900 (1,400) | 355 (14) | 4.3 (9.5) | 215 (7.6) | 3/8 | 97.8 108.8 | 3 | 5.11 | 6.3 (90) |



| Index No. | Description | Quantity | Index No. | Description | Quantity | Index No. | Description | Quantity |
|-----------|-------------------------|----------|-----------|-----------------------|----------|-----------|---------------------|----------|
| 01 | Motor Housing | 1 | 18A | Trigger Pin | 1 | 35 | Hammer Pin | 2 |
| 02 | Valve O-Ring | 1 | 19 | Trigger | 1 | 36 | Hammer | 2 |
| 03 | Fuse Valve | 1 | 20B | Real End Plate | 1 | 37A | Hammer Cage | 1 |
| 04 | O-Ring (P17) | 1 | 21 | Bearing (6001) | 1 | 39 | Bearing (6003) | 1 |
| 05 | Retainer (IRTW-21) | 1 | 23 | O-Ring (S60) | 1 | 40B | Front End Plate | 1 |
| 06 | O-Ring (φ17x1.7) | 1 | 24 | O-Ring (S42) | 1 | 41 | Pin (φ2.5X10) | 2 |
| 07 | Valve Bushing | 1 | 25 | Ball (1/8") | 1 | 42 | Cylinder | 1 |
| 09 | Throttle Valve Assembly | 1 | 26 | Spring | 1 | 43A | Rotor | 1 |
| 10 | Air Inlet Spring | 1 | 27 | Reverse knob | 1 | 44 | Rotor Blade | 6 |
| 11 | Exhaust Deflector | 1 | 28 | Back Cap Gasket | 1 | 45 | Hammer Case Gasket | 1 |
| 12A | O-Ring (φ20.5x3) | 1 | 29B | Back Cap | 1 | 46 | Hammer Case Bushing | 1 |
| 13 | O-Ring (S24) | 1 | 30B | Screw (12#-28x110L) | 4 | 47B | Hammer Case | 1 |
| 14A | Air Inlet | 1 | 31 | Socket Retainer | 1 | 48 | Grease Fitting | 1 |
| 15 | Pin (4*32) | 1 | 32 | Retainer O-Ring (P11) | 1 | 50 | Muffler | 1 |
| 16 | Pin (4*18) | 1 | 33 | Standard Anvil | 1 | 51 | O-ring (φ4x1) | 1 |
| 17 | Pin (2.5*22) | 1 | 34 | 6" Extended Anvil | 1 | | | |